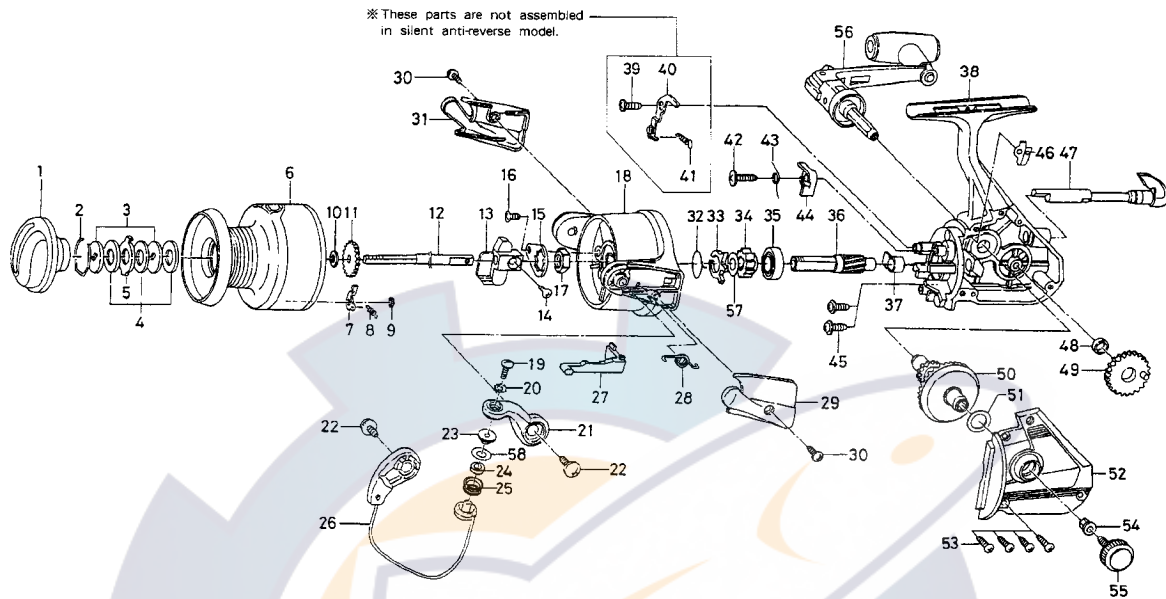


Please order by part number, not key number.

# RG-S5500T/S6000T

# SPINNING REEL



**RG-S5500T**

KEY NO.	PART NO.	PART NAME
2-9	F54-5501	SPOOL
1	F36-9806	DRAG KNOB
2	171-7701	DRAG WASHER RET
3	L03-1301	KEY WASHER
4	373-3712	DRAG WASHER
5	B89-9501	EARED WASHER
7	B07-8201	CLICK PAWL
8	145-2101	CLICK SPRING
9	320-1402	CLICK RET
10	F22-5501	SPOOL WASHER
11	L11-8501	CLICK GEAR
12	F42-9501	MAIN SHAFT
13	F42-9101	OSC SLIDER
14	351-8901	OSC SLIDER SCREW
15	F58-9801	ROTOR NUT HOLD PLT
16	L01-1702	ROTOR NUT HOLD PLT SCREW
17	340-8301	ROTOR NUT
18	F39-3206	ROTOR
19	F60-7302	LINE ROLLER SCREW
21	F36-9006	BAIL ARM
22	E00-7601	BAIL ARM SCREW
23	F44-6302	LINE ROLLER COLLAR
24	F47-3401	LINE ROLLER BUSHING
25	F45-4901	LINE ROLLER
26	F57-0801	BAIL
27	F41-3401	BAIL TRIP LEVER
28	F60-8001	BAIL SPRING
29	F39-3306	BAIL SPRING COVER
30	E24-8102	BAIL SPRING COVER SCREW
31	F39-3406	BAIL TRIP COVER
32	F21-2001	A/R PAWL SPRING A
33	L07-0701	A/R PAWL SPRING B
34	F39-4201	A/R RATCHET
35	L03-6401	BALL BEARING
36	L11-4401	PINION GEAR
37	L00-6001	PINION COLLAR

**RG-S5500T**

KEY NO.	PART NO.	PART NAME
38	E53-9001	BODY
42	L06-6501	A/R PAWL SCREW
43	L06-6401	A/R PAWL SPRING C
44	L07-8601	A/R PAWL
45	L01-1601	BEARING RET SCREW
46	E01-1801	A/R CAM SPRING
47	L10-0702	A/R LEVER
48	B47-4101	OSC GEAR COLLAR
49	L11-4701	OSC GEAR
50	L07-1701	DRIVE GEAR
51	371-2824	DRIVE GEAR WASHER
52	E53-9101	SIDE COVER
53	B83-5001	SIDE COVER SCREW
54	F40-9001	HANDLE COLLAR
55	L00-9102	HANDLE SCREW
56	F41-4503	HANDLE
57	F43-1001	RATCHET WASHER
58	F44-6202	LINE ROLLER WASHER

**S6000T Special Parts**

KEY NO.	PART NO.	PART NAME
2-9	E53-9401	SPOOL
18	F39-4806	ROTOR
26	F57-1001	BAIL
27	F39-3501	BAIL TRIP LEVER
38	E53-9302	BODY
52	E53-9104	SIDE COVER